

MOLDPRO[®]
MACHINERY & SYSTEMS INC.



MMS 12-450

Blow Molding

1-800-330-1338
www.moldpro.com

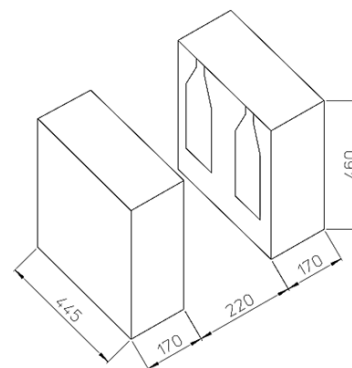
MMS 12-450

MMS 12-450

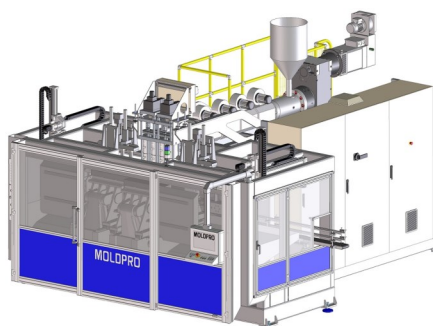
| | | | | | | | |
|-------------------|----------------------|-----|-----|-----|-----|-----|------|
| PRODUCTION | Cavities | 1 | 2 | 3 | 4 | 5 | 6 |
| | Center Distance | - | 200 | 140 | 100 | 80 | 70 |
| | Max Container Width | 290 | 180 | 125 | 85 | 65 | 55 |
| | Max Container Height | 375 | 350 | 300 | 300 | 250 | 250 |
| | Capacity | 6 | 3 | 1 | 1 | 0.5 | 0.33 |

| | | | |
|-----------------|----------------|-----------|-----------|
| EXTRUDER | Screw Diameter | 80/25 mm | 90/25 mm |
| | Electric Motor | 60 kW | 75 kW |
| | Max Output | 160 kg/hr | 200 kg/hr |
| | Heating | 30 kW | 40 kW |

| | | |
|--------------------------|--------------------------------|------------------|
| STANDARD FEATURES | Horizontal Stroke | 450 mm |
| | Dry Cycle | 3 Sec |
| | Clamp Force | 12 kN |
| | Air Pressure | 6-8 bar |
| | Mold Cooling & Extruder Feed | 140 + 30 kcal/hr |
| | Hydraulic Cooling | 9000 kcal/hr |
| | Oil Pump Motor Power | 24 kW |
| | Total Power Installed | 60 kW minimum |
| | | 140 kW minimum |
| | Minimum Water Cooling Pressure | 3 bar |



MOLD DIMENSIONS



MOLDPRO[®]
MACHINERY & SYSTEMS INC.

4042 Mainway Dr.
 Burlington ON L7M 4B9
 Canada

1-800-330-1338

www.Moldpro.com

* THE INFORMATION ON THIS BROCHURE IS SUBJECT TO CHANGES.