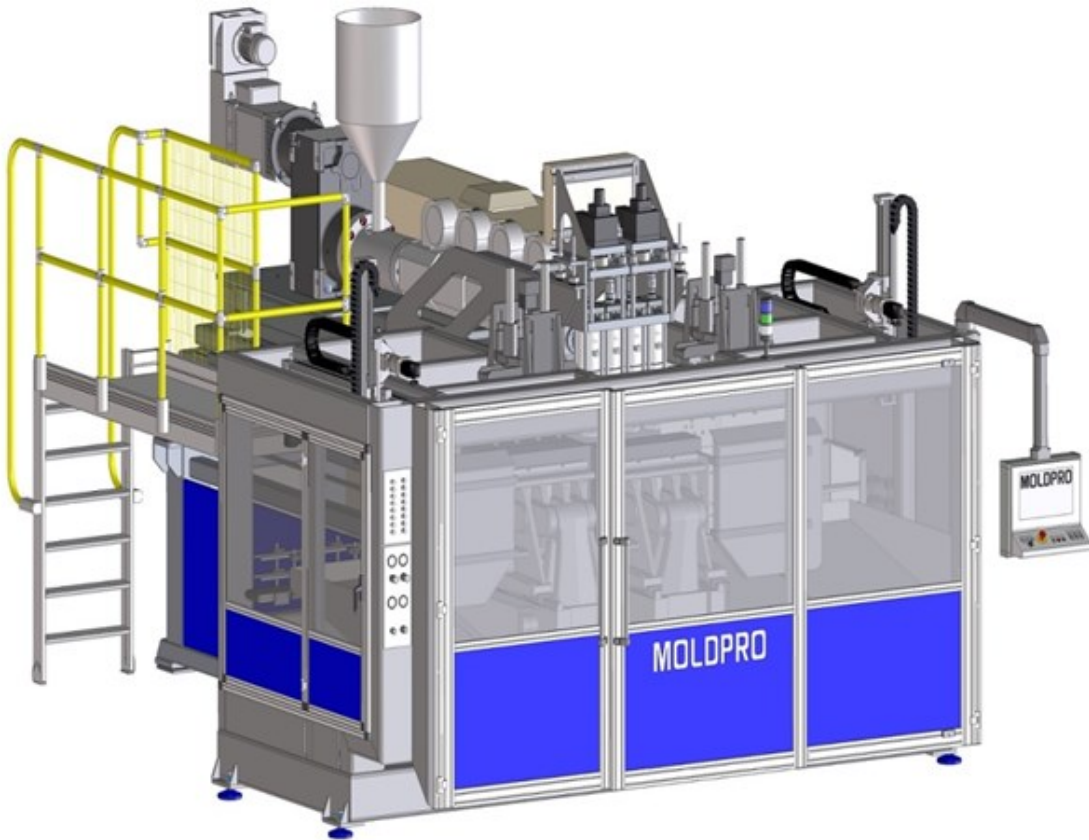


MOLDPRO[®]
MACHINERY & SYSTEMS INC.



MMS 24-700

Blow Molding

1-800-330-1338
www.moldpro.com

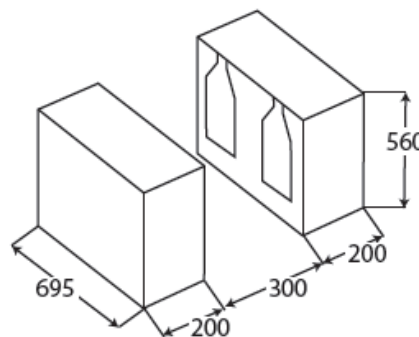
MMS 24-700

MMS 24-700

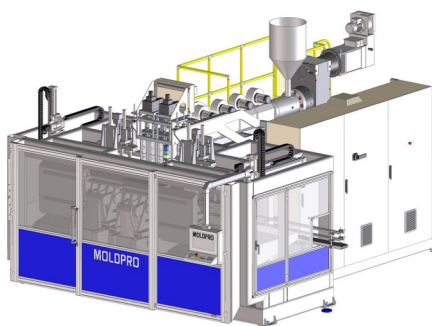
PRODUCTION	Cavities	1	2	3	4	5	6
	Center Distance		320	215	160	130	110
	Max Container Width		290	195	145	115	95
	Max Container Height	420	420	350	350	300	300
	Capacity	20	10	3	2	1.5	1

EXTRUDER	Screw Diameter	100/28 mm	110/28 mm
	Electric Motor	90 kW	110 kW
	Max Output	260 kg/hr	320 kg/hr
	Heating	50 kW	60 kW

STANDARD FEATURES	Horizontal Stroke	700 mm
	Dry Cycle	3 Sec
	Clamp Force	24 kN
	Air Pressure	6-8 bar
	Mold Cooling & Extruder Feed	140 + 30 kcal/hr
	Hydraulic Cooling	12000 kcal/hr
	Oil Pump Motor Power	30 kW
	Total Power Installed	82 kW minimum
		170 kW minimum
	Minimum Water Cooling Pressure	3 bar



MOLD DIMENSIONS



MOLDPRO[®]
MACHINERY & SYSTEMS INC.

4042 Mainway Dr.
Burlington ON L7M 4B9
Canada

1-800-330-1338

www.Moldpro.com